

# titan



# titan

Titan is a modern laminate series from HDL, offering clean contemporary styling at an affordable price.

Using C.A.R.B certified melamine and recyclable steel components, the Titan series provides a very solid, yet simple solution to your office needs.

Available in 3 finishes, Autumn Maple (AM), Grey Dusk (GD) & Hardrock Maple (HM); and complemented by the titanium finish base components, the Titan Series lends itself to a more design-led environment without the associated price tag.

Corner Desk in Grey Dusk,  
Box/Box/File Pedestal



Titanium colour powder coated components keeps Titan looking as good as new

## What is C.A.R.B.?

The California Air Resources Board (C.A.R.B.) is an organization created to develop and implement the most stringent guidelines for indoor air quality standards in the United States. This is now a mandatory requirement for all furniture and building materials sold in California and the Environmental Protection Agency is currently looking to adopt the C.A.R.B. standards nationwide (Canada is expected to follow at the same time).

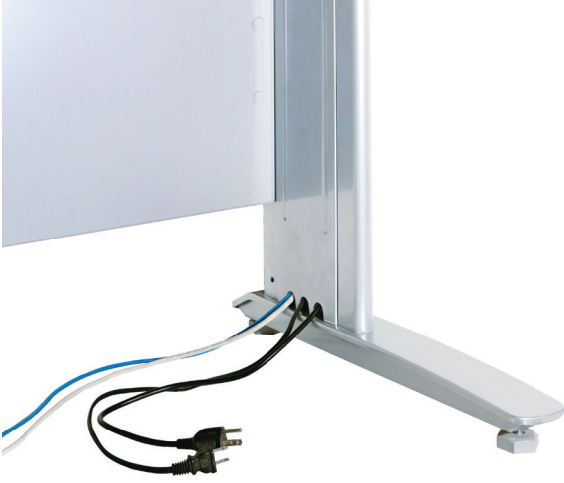
HDL's imported furniture is made from melamine-faced particle board, produced in Thailand. Our particleboard/melamine emissions are tested in Oregon every year and they are currently certified to meet C.A.R.B regulations. Such is the quality of our products, they meet current C.A.R.B. standards and the Level 2 standard which came into effect in 2012.

There seems to be an abundance of 'governing' bodies who offer certification for emissions similar to C.A.R.B. such as Greenguard. However, currently no one 'authority' is preferred, and BIFMA is working to streamline the industry, allowing consumers to more easily understand the various certificates.

As a member of BIFMA, we welcome these industry related standards to help remove any misunderstanding or confusion from the marketplace and ensure all products are made to the highest and safest standards.

Please refer to the HDL Jupiter Series for seating options.

# specifications



Integrated wiring channel for easy cable management



Desk in Hardrock Maple.  
Box/Box/File Pedestal & Seating



## Construction

Tops are 1" thick, C.A.R.B certified melamine.  
Bases and modesty panels are powder coated steel in titanium finish only.

All tops are thermally fused laminate on a 45-pound industrial particle board core.

Levelling glides are standard on all floor models

## Edge Detail

All Titan Series exposed edges are finished in a matching, 3mm PVC for a tough, durable edge.

All Titan Series tops have 1" radius corners.

## Modesty Panels

Modesty panels are standard with 2 wire access holes for easy cable routing.

Modesty panels are 17" high.

## Drawers

All drawers are steel construction.

All drawers have curved drawer fronts.

All box & file drawers are mounted on FULL extension ball bearing slides.

Each file drawer will accommodate letter or legal sized hanging folders.

## Locks

Gang locks allow all drawers to be locked with one key and are standard on all drawer pedestals.



Laminate Top Finishes

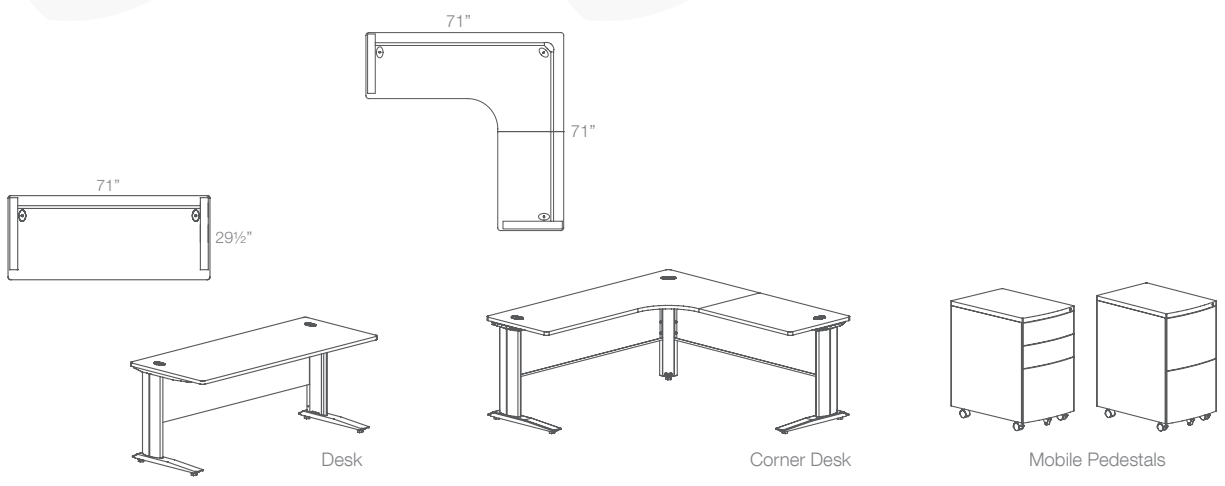


Metal Base &  
Pedestal Finish

Pedestal Finish

Pedestal Finish

# titan



As with all HDL furniture, we offer an extensive selection of accessories aimed at maximizing comfort and productivity.



Contact your local dealer:

Heartwood Distributors Ltd.  
251 Adams Road,  
Kelowna, BC V1X 7R1

PH. (250) 807-2570  
Fax. (250) 807-2575  
Toll Free 1-800-567-3060

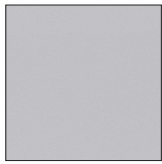
[www.heartwooddl.com](http://www.heartwooddl.com)

# METAL LATERAL FILES



## FEATURES:

- Ships fully assembled
- Interlock system prevents tipping by allowing only one drawer to open at a time
- Ball bearing slide with full extension
- Leveling glides come standard and ensure drawers open easily
- Loading capacity: 99 lbs per drawer
- Meets ANSI/BIFMA standards (when using counterweight )
- Central locking



TITANIUM (TT)

## MODEL:

## DIMENSIONS:

### LATERAL FILES

100-M1936LF	35.5"W x 19"D x 27"H
100-M1936LF3	35.5"W x 19"D x 40"H
100-M1936LF4	35.5"W x 19"D x 52"H

### COUNTER WEIGHT FOR LATERAL FILES

100-CNTRWHT-MLF	24"W x 21.5"D X 1.25"H
-----------------	------------------------

### LAMINATE TOPS FOR METAL LATERAL FILES

TTN-1936TOP	35.5"W x 19"D x 1"H
-------------	---------------------

These optional tops are available in Autumn Maple (AM), Hardrock Maple (HM) and Grey Dusk (GD)



100-M1936LF WITH  
TTN-1936TOP-GD



HANGING FILE BAR INCLUDED



LETTER OR LEGAL SIZE FILING



J HANDLE DETAIL

# TITAN SERIES

## METAL STORAGE

