

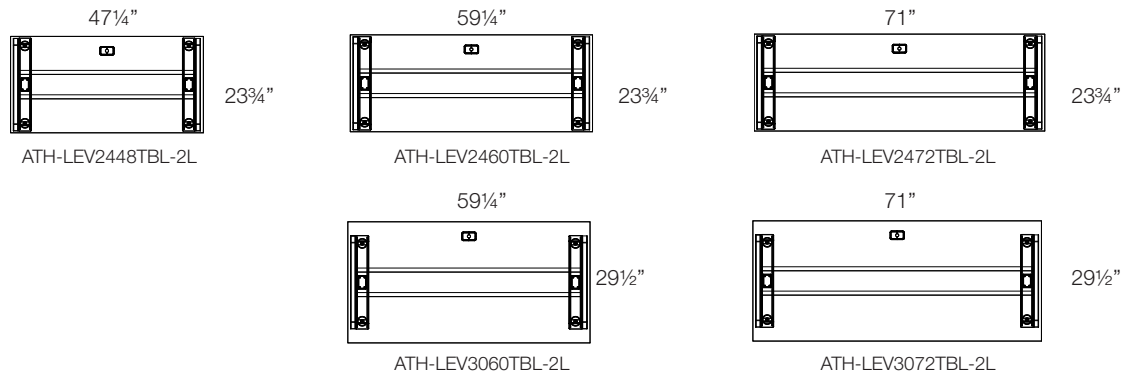
# LEVELS Series

Height Adjustable

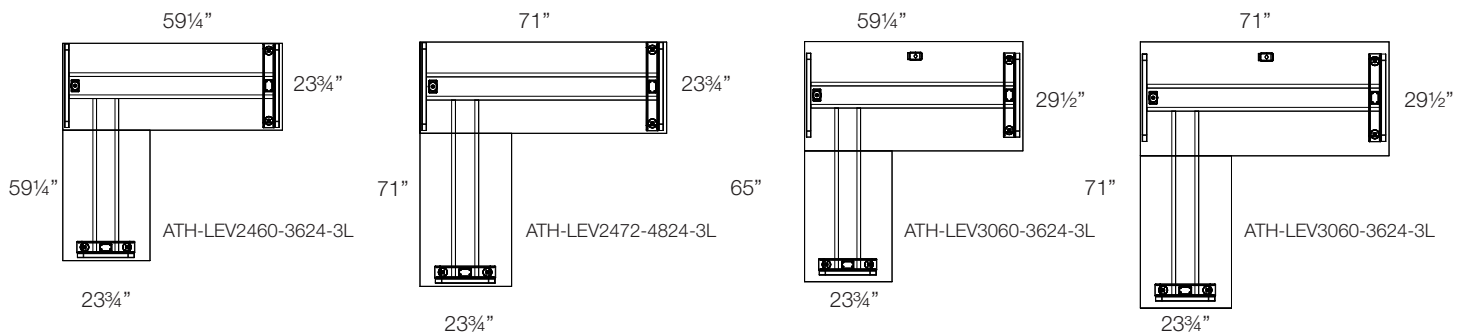


# ATHENA HEIGHT ADJUSTABLE DESK - (28.5-46.5" HEIGHT RANGE)

## Straight Desk

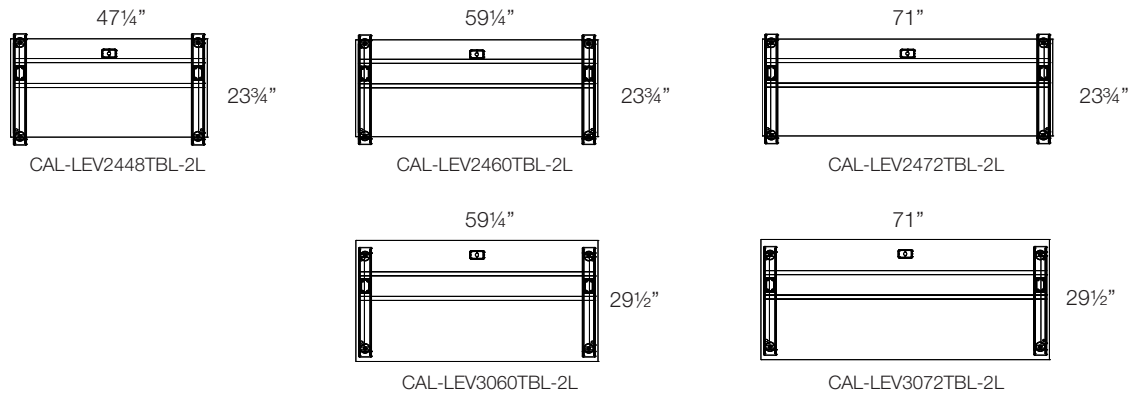


## L-Shaped Desk - Non-handed

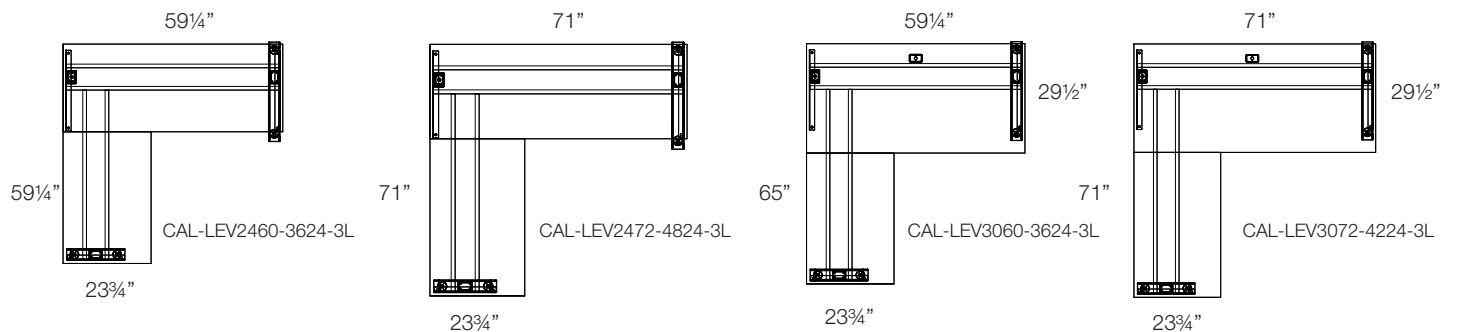


# CALYPSO HEIGHT ADJUSTABLE DESK - (23-49" HEIGHT RANGE)

## Straight Desk



## L-Shaped Desk - Non-handed





# AVAILABLE FINISHES

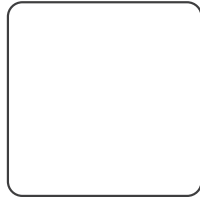
## LAMINATE FINISHES



Black Walnut  
BW



Grey Dusk  
GD



Pure White  
PW

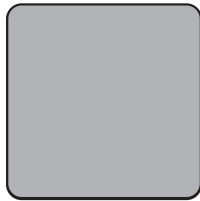


Winter Wood  
WW

## ATHENA BASE FINISHES

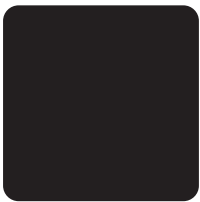


Black - BL

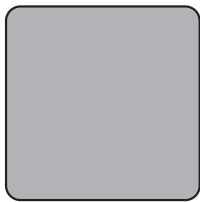


Silver - SL

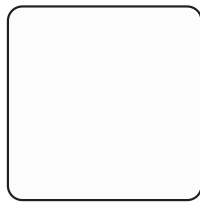
## CALYPSO BASE FINISHES



Black - BL



Silver - SL



White - WH

## DEFAULT GROMMETS

Grey Dusk & Black Walnut - Black grommets  
Winter Wood & Pure White - Grey Grommets



### LIMITED LIFETIME WARRANTY

HDL is pleased to offer a limited lifetime warranty on all laminate products. For specific series warranty details, please refer to the downloadable Limited Lifetime Warranty document online.



**HEARTWOOD DISTRIBUTORS LTD.**  
251 ADAMS RD, KELOWNA, BC  
T 1 800 567 3060 F 250 765 1213  
[www.heartwooddl.com](http://www.heartwooddl.com)



### THE IN-STOCK ADVANTAGE

HDL is committed to maintaining stock at all times. Every effort will be made to ensure these products are available.



### Eco STORY

HDL is committed to supplying office furniture products in an environmentally responsible manner. We are proud to partner with like-minded corporate citizens who align environmental stewardship with their company's core values and goals. Innovations is produced with CARB certified laminate

Contact your local dealer: