

Height Adjustable series

Available Laminate Finishes

Available Base Finishes:



Black
BL



Sliver
SL



Autumn Maple
AM



Black Walnut
BW



Evening Zen
EZ



Grey Dusk
GD



Hardrock Maple
HM



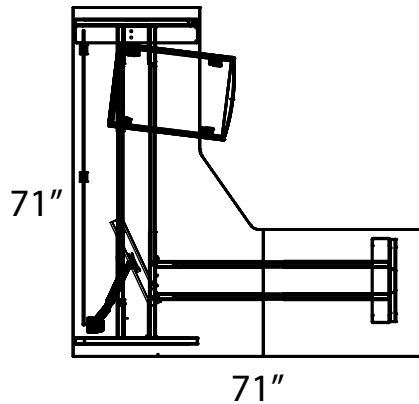
Royal Mahogany
RM



Sugar Maple
SM



Winter Wood
WW



Layout #7

INV-362472ECM

Non-Handed Extended Corner Module

INV-2436TOP

36" Rectangular Top

ATH-E1-3LEG

Athena 3 Leg Base

INV-MP1-1566PLX

Plexiglass Hanging Modesty Panel

100-MMPF

Metal Mobile Pedestal - Full Carton

100-MMPF-CUSHFA

Metal Mobile Pedestal Cushion

100-MA1

Pneumatic LCD Single Monitor Arm

Please refer to www.heartwooddl.com for current finish options available for this series

