

# Framework series

Available Colour:

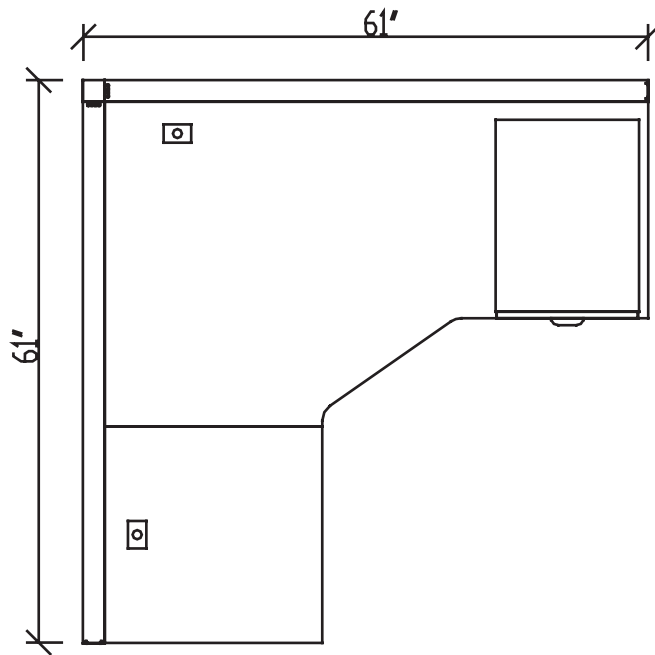


Charcoal Frame & Grey Panels



Simple, durable, and affordable.

- ✓ Great competitive pricing!
- ✓ Fast and easy to install/reconfigure
- ✓ Large range of sizes
- ✓ Tackable panel surface above desk height
- ✓ Built-in raceway for wire management



## Layout # 2

FRM-6066P X 2      66" Tall Panel

FRM-66SQP-2W      Square 2 Way Connecting Post

FRM-66PET      Panel End Trim

### HDL Innovations Components

INV LAYOUT #11A      HDL Innovations Layout\*

\*Please refer to our price book for up-to-date pricing information.

**Note:** Complete Layout combines Framework with HDL Innovations series.

Please refer to [www.heartwoodd.com](http://www.heartwoodd.com) for current finish options available for this series.

HDL Innovations available in eight colours

