

Framework series

Available Colour:

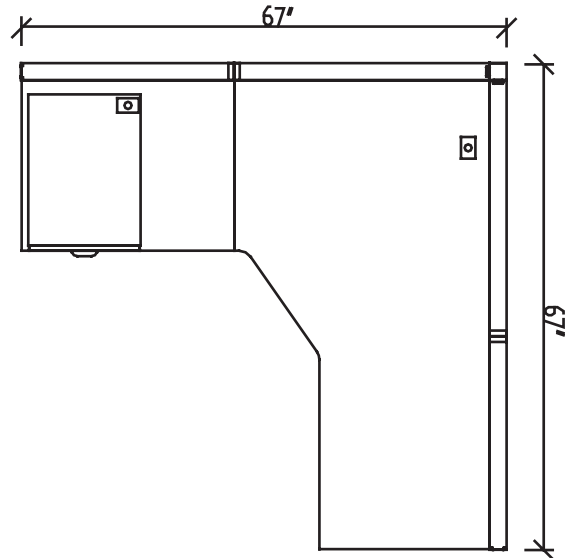


Charcoal Frame & Grey Panels



Simple, durable, and affordable.

- ✓ Great competitive pricing!
- ✓ Fast and easy to install/reconfigure
- ✓ Large range of sizes
- ✓ Tackable panel surface above desk height
- ✓ Built-in raceway for wire management



Layout # 1

FRM-3048P X 2 48" Tall Panel

FRM-3648P X 2 48" Tall Panel

FRM-48SQP-2W Square 2 Way Connecting Post

FRM-48PET X 2 Panel End Trim

FRM-PCK X 2 Panel Connecting Kit

HDL Innovations Components

INV LAYOUT #12A HDL Innovations Layout*

*Please refer to our price book for up-to-date pricing information.

Note: Complete Layout combines Framework with HDL Innovations series.

Please refer to www.heartwooddl.com for current finish options available for this series.

HDL Innovations available in eight colours

