

Framework series

Available Colour:

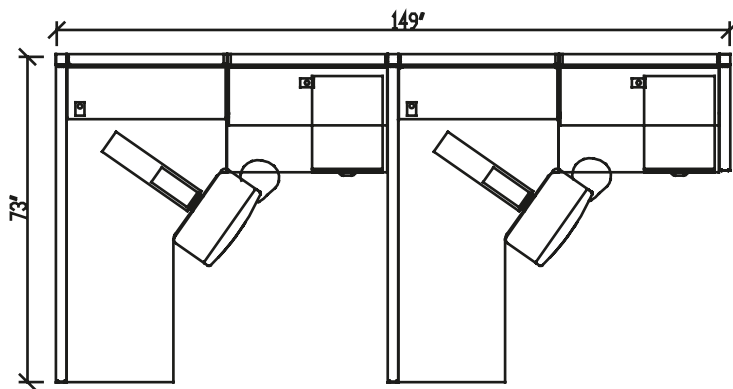


Charcoal Frame & Grey Panels



Simple, durable, and affordable.

- ✓ Great competitive pricing!
- ✓ Fast and easy to install/reconfigure
- ✓ Large range of sizes
- ✓ Tackable panel surface above desk height
- ✓ Built-in raceway for wire management



Layout # 7

FRM-7266P X 2 66" Tall Panel

FRM-3666P X 4 66" Tall Panel

FRM-2466P 66" Tall Panel

FRM-66SQP-3W Square 3 Way Connecting Post

FRM-66SQP-2W X 2 Square 2 Way Connecting Post

FRM-OS36 X 2 Overhead Shelf Set

FRM-OSC36 X 2 Overhead Storage Cabinet

FRM-66PET X 3 Panel End Trim

FRM-PCK X 2 Panel Connecting Kit

HDL & Innovation Components

INV-7236CM X 2 Extended Corner Module*

INV-2436RSBR X 2 Return Shell/Bridge*

INV-HPF X 2 Hanging Pedestal*

100-AKTM X 2 Articulating Keyboard Tray*

*Please refer to our price book for up-to-date pricing information.

Note: Complete Layout combines Framework with HDL Innovations series.

Please refer to www.heartwooddl.com for current finish options available for this series.

HDL Innovations available in seven colours

