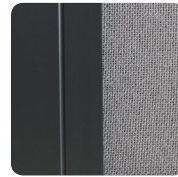


# Framework series

Available Colour:

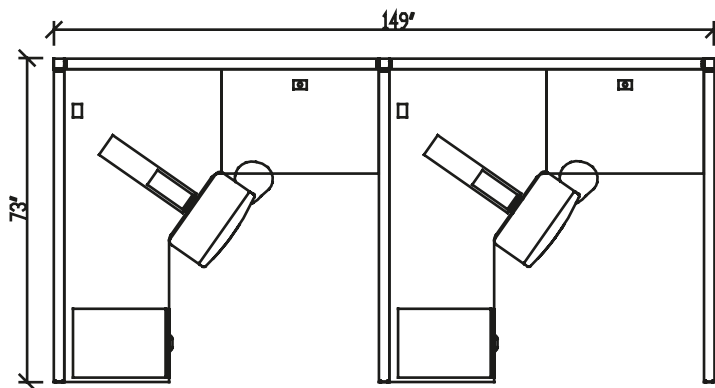


Charcoal Frame & Grey Panels



Simple, durable, and affordable.

- ✓ Great competitive pricing!
- ✓ Fast and easy to install/reconfigure
- ✓ Large range of sizes
- ✓ Tackable panel surface above desk height
- ✓ Built-in raceway for wire management



## Layout # 6

FRM-7266P X 5	66" Tall Panel
FRM-66SQP-3W	Square 3 Way Connecting Post
FRM-66SQP-2W X 2	Square 2 Way Connecting Post
FRM-66PET X 3	Panel End Trim

### HDL & Innovation Components

INV-7236CM X 2	Extended Corner Module*
INV-2436RSBR X 2	Return Shell/Bridge*
INV-HPF X 2	Hanging Pedestal*
100-AKTM X 2	Articulating Keyboard Tray*

\*Please refer to our price book for up-to-date pricing information.

**Note:** Complete Layout combines Framework with HDL Innovations series.

Please refer to [www.heartwooddl.com](http://www.heartwooddl.com) for current finish options available for this series.

HDL Innovations available in seven colours

